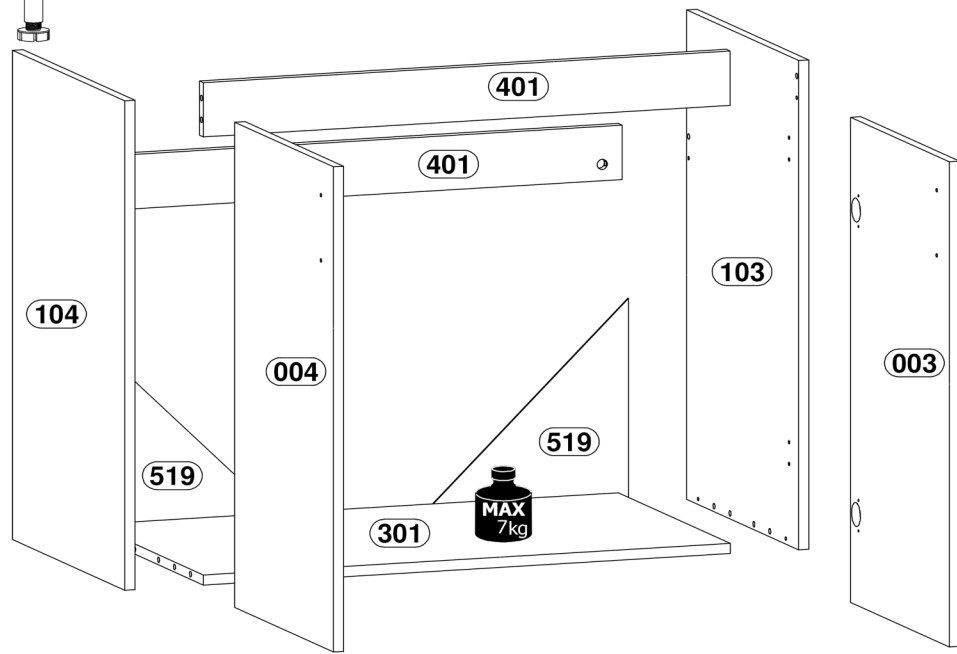
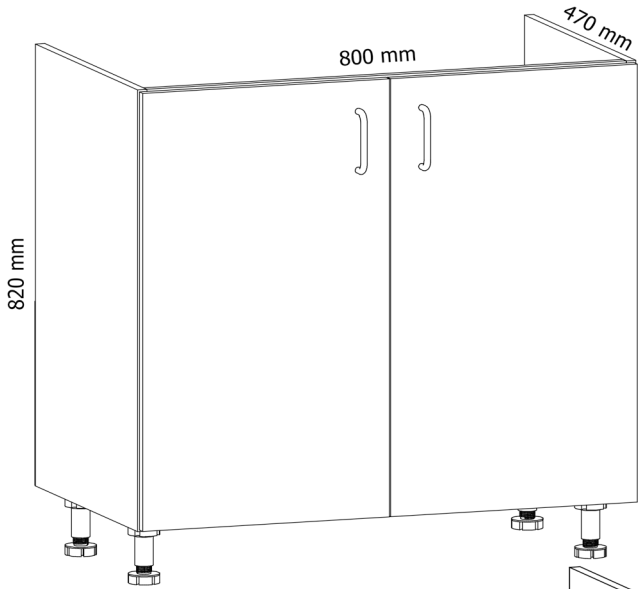
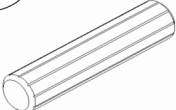
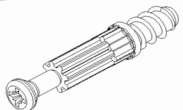
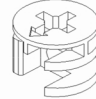
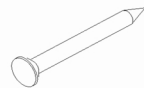
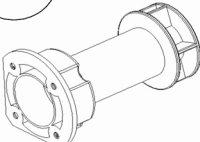



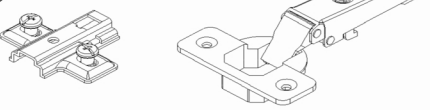
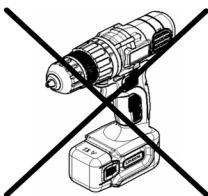


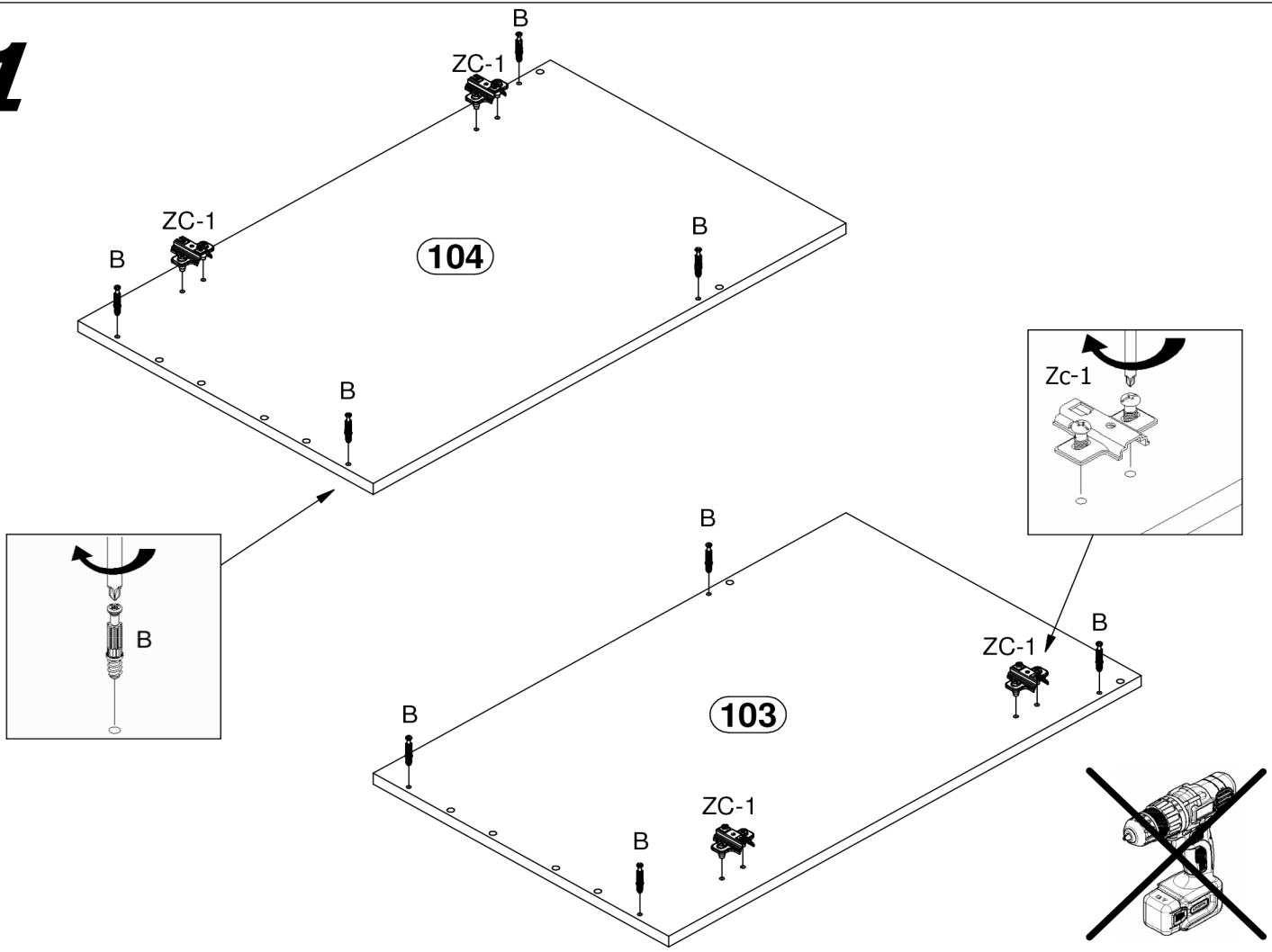
# D80Z

# S80Z

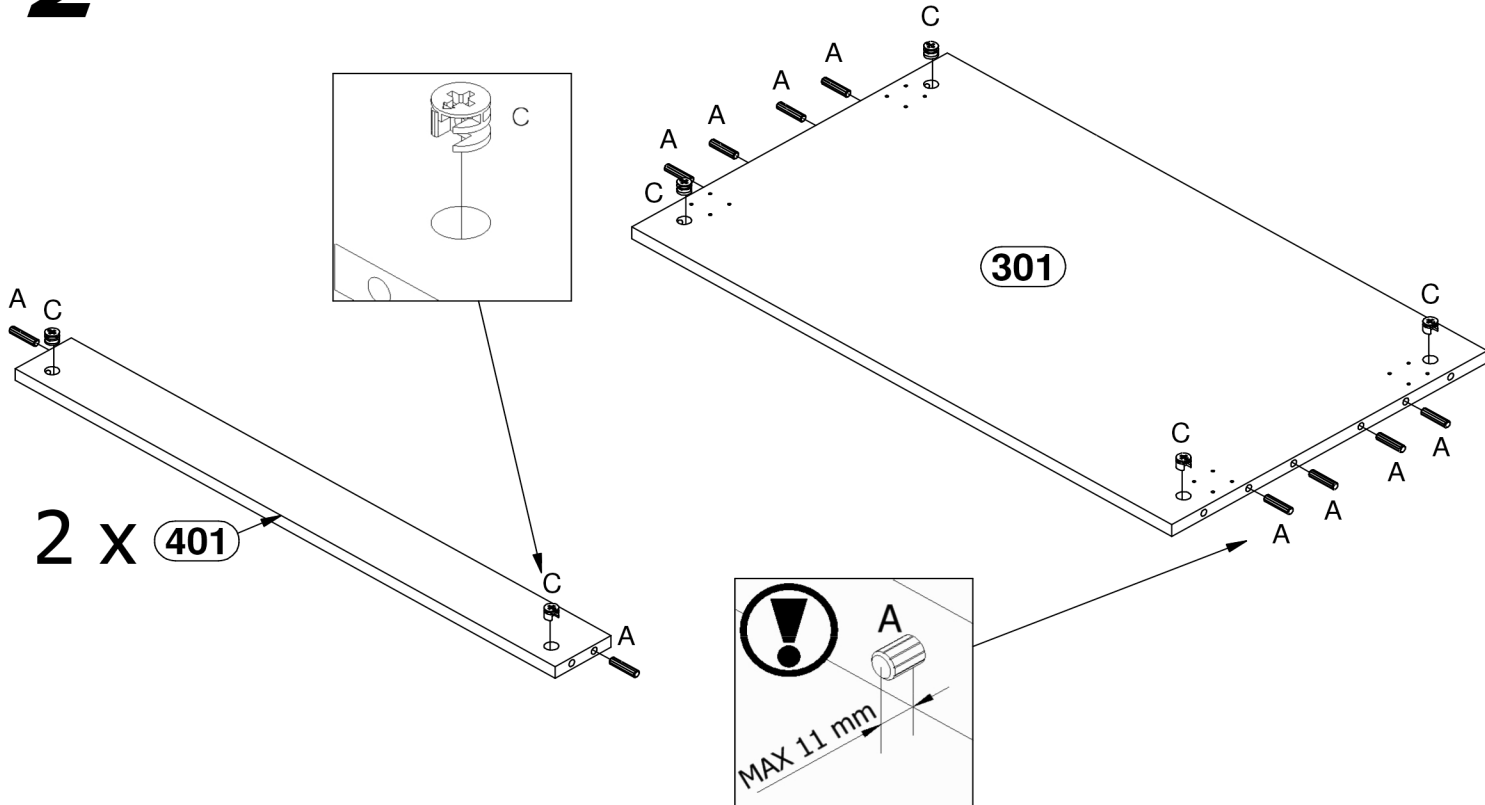


<b>A</b> x12  Ø8x35mm	<b>B</b> x8 	<b>C</b> x8  Ø15x12mm	<b>G</b> x15 
<b>L1</b> x4 	<b>M</b> x2 	<b>W2</b> x24  Ø3,5x16mm	<b>Y</b> x8  Ø18 mm
<b>Zc</b> x4  Zc-1      Zc-2			

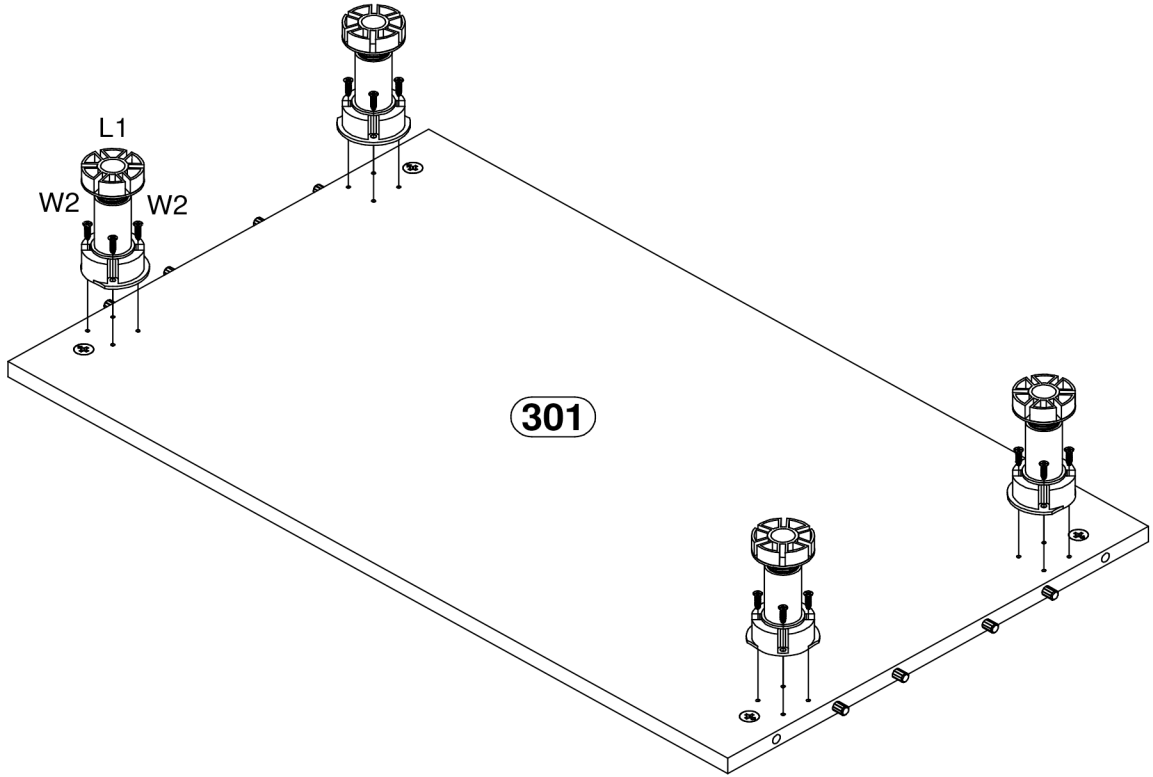
# 1



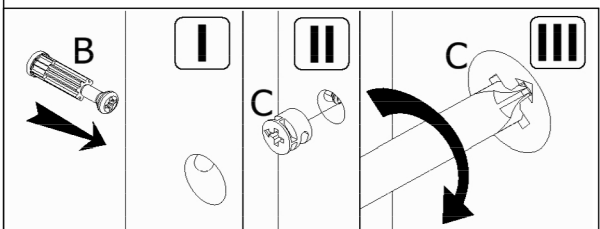
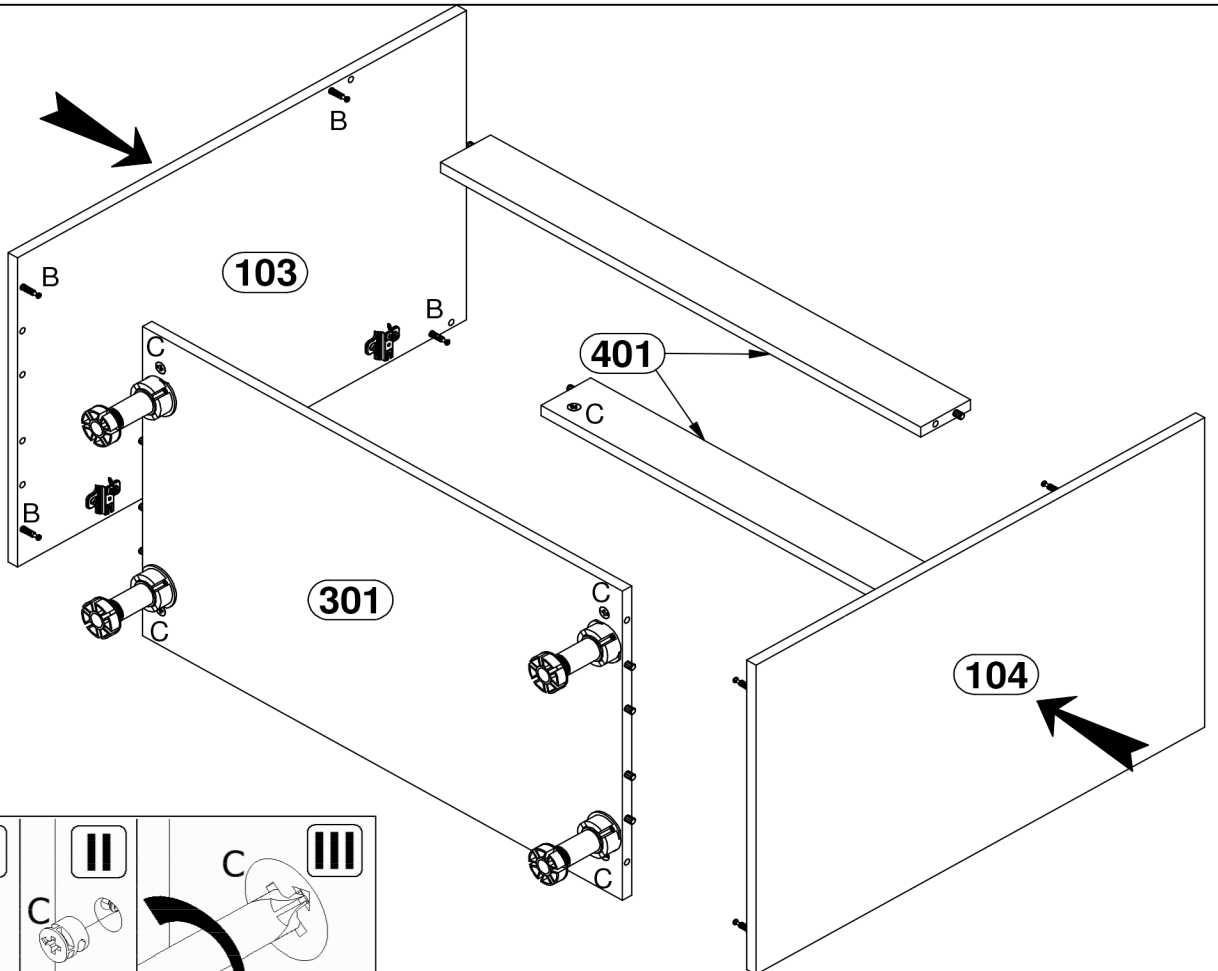
# 2



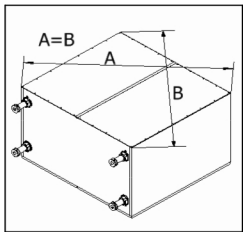
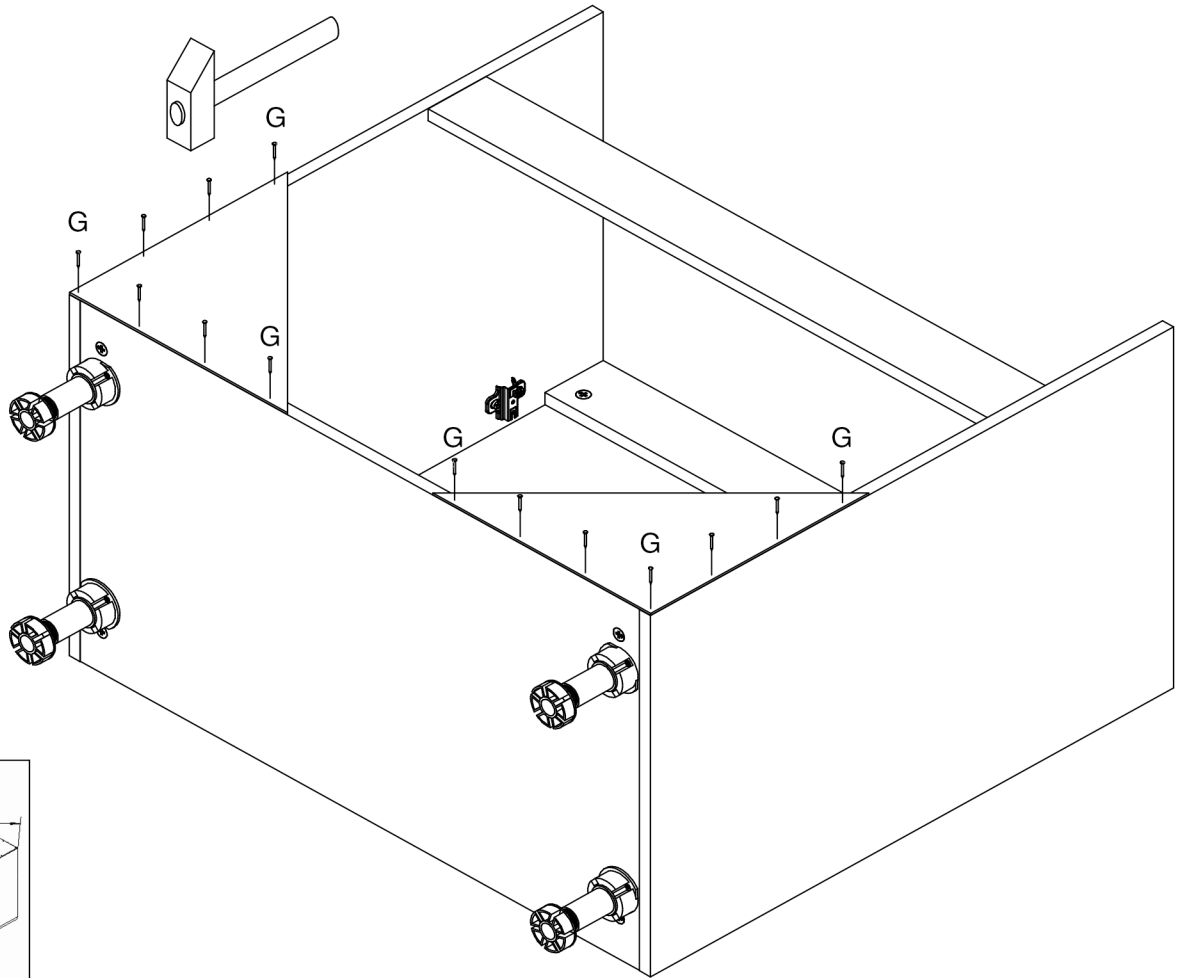
# 3



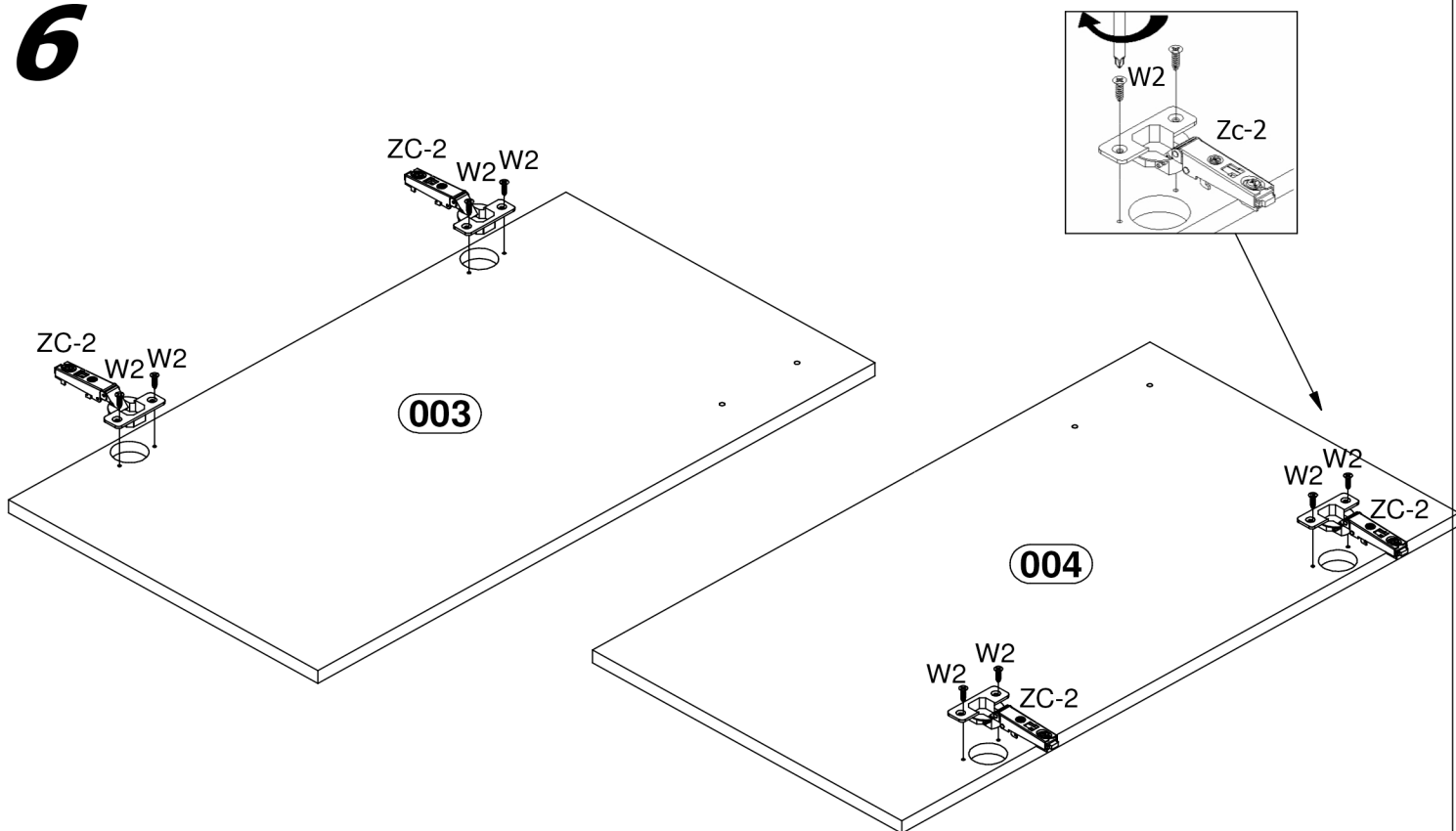
# 4



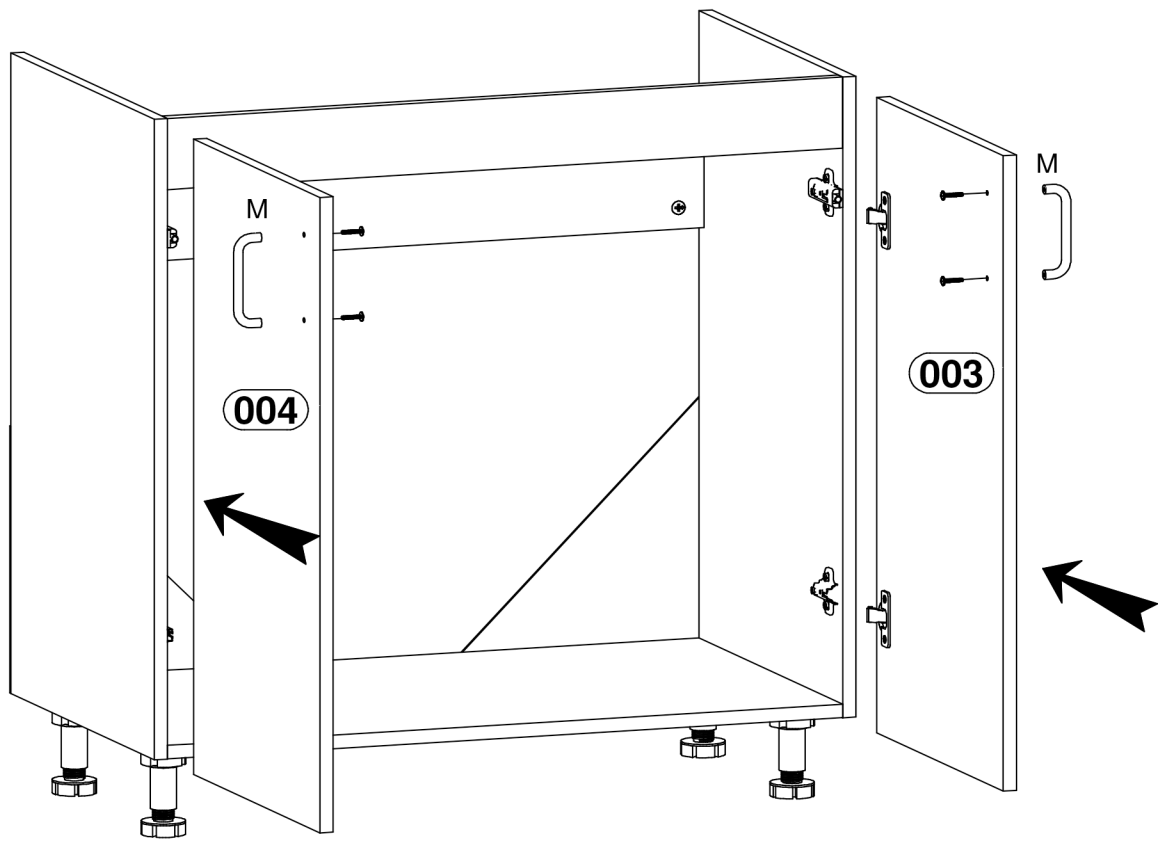
# 5



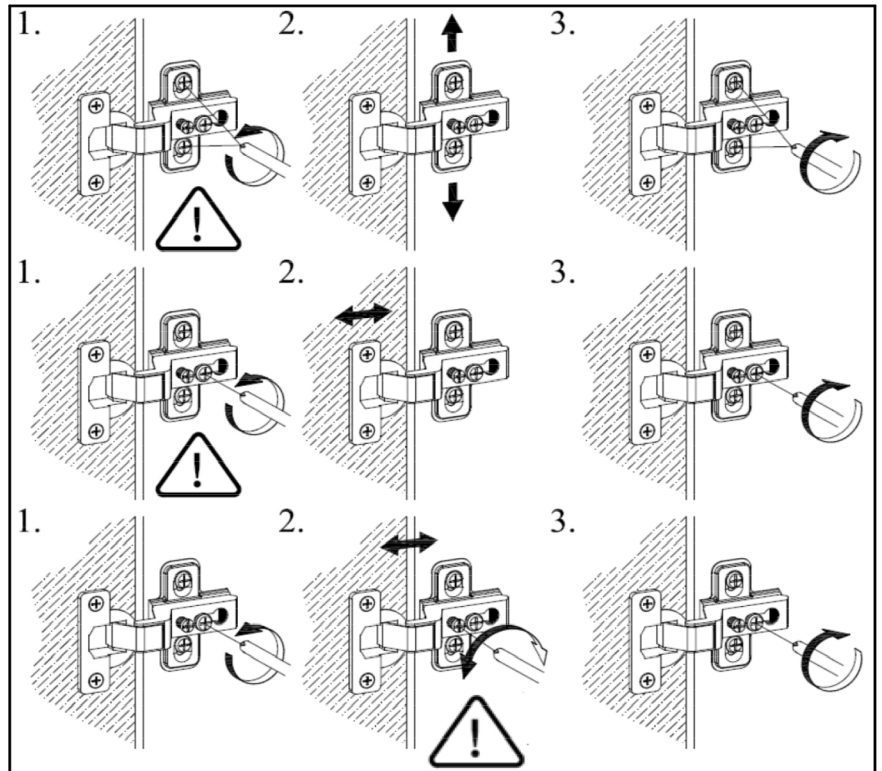
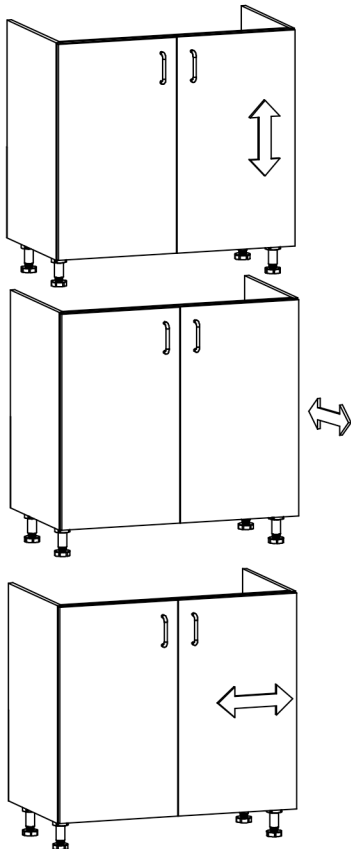
# 6

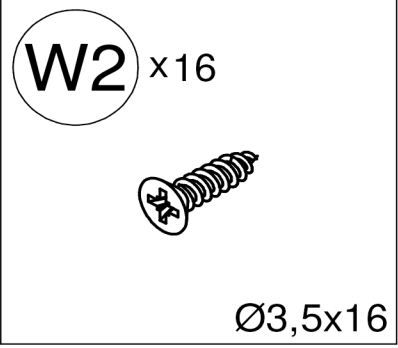
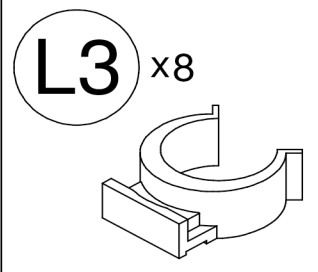
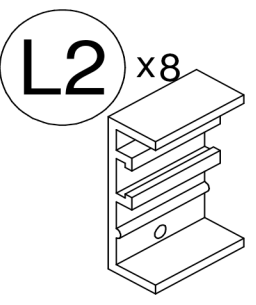
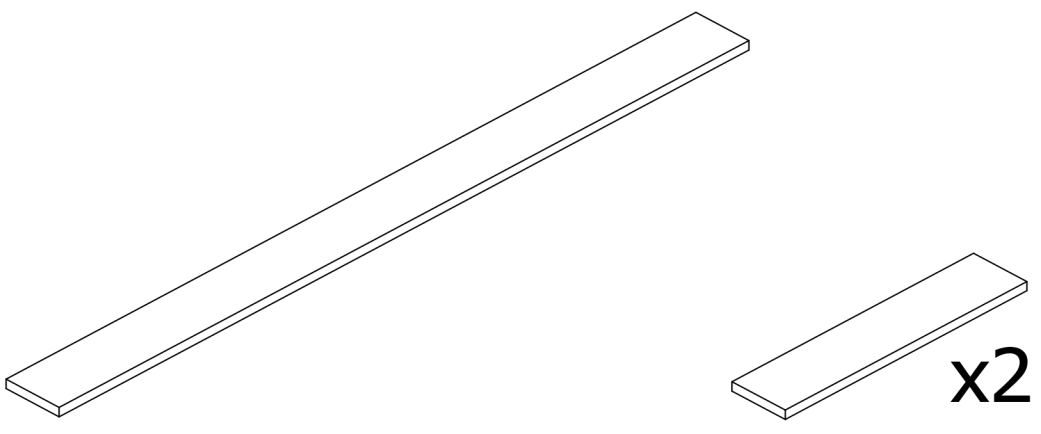
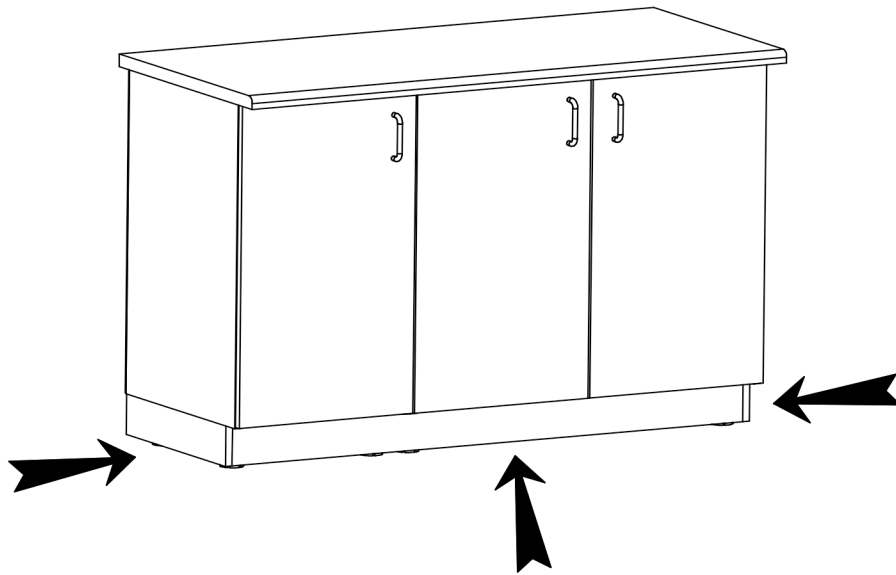


7

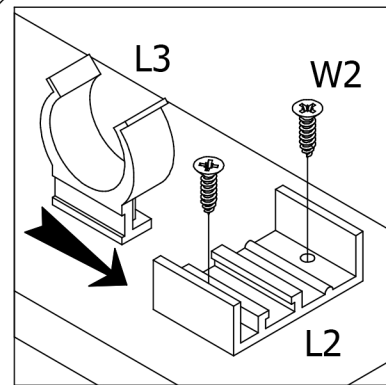
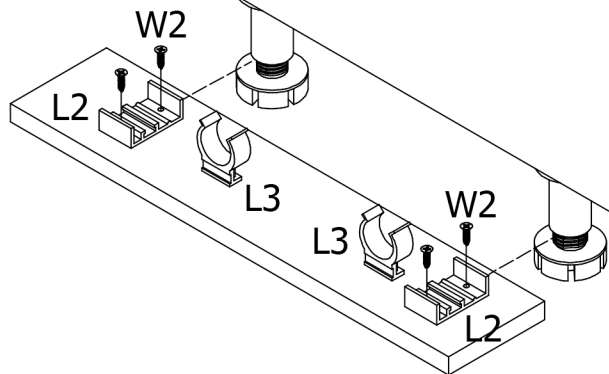


8





# 9



# 10

